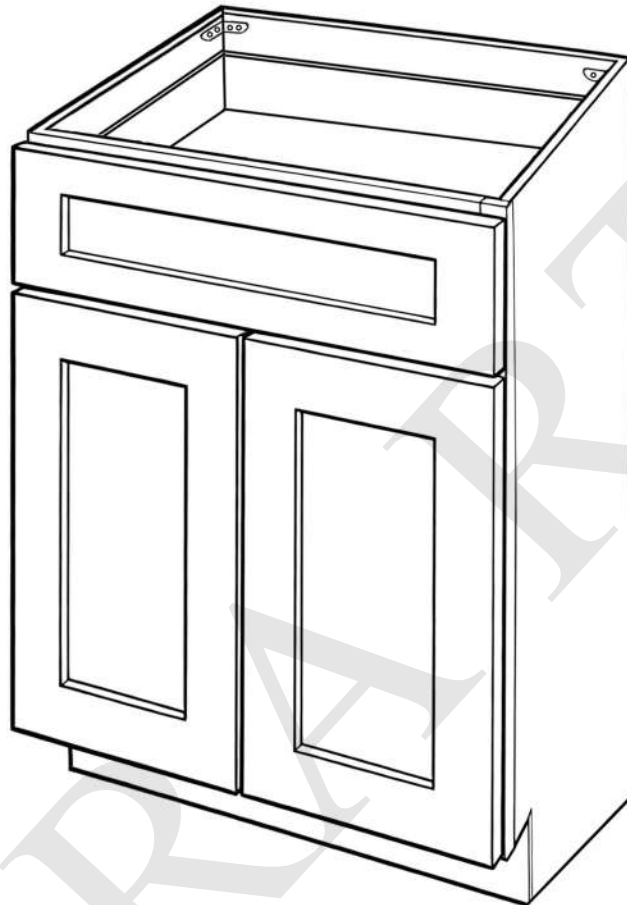


# ASSEMBLY INSTRUCTION

## BASE CABINET WITH SINGLE DOOR & DRAWER



### Cabinet Model

B24, B27, B30

### Cabinet Style

Shaker Door Style Framed Cabinets



#### NOTE\*

See our cabinet assembly videos on our YouTube Channel

<http://www.youtube.com/@rarartacabinets>

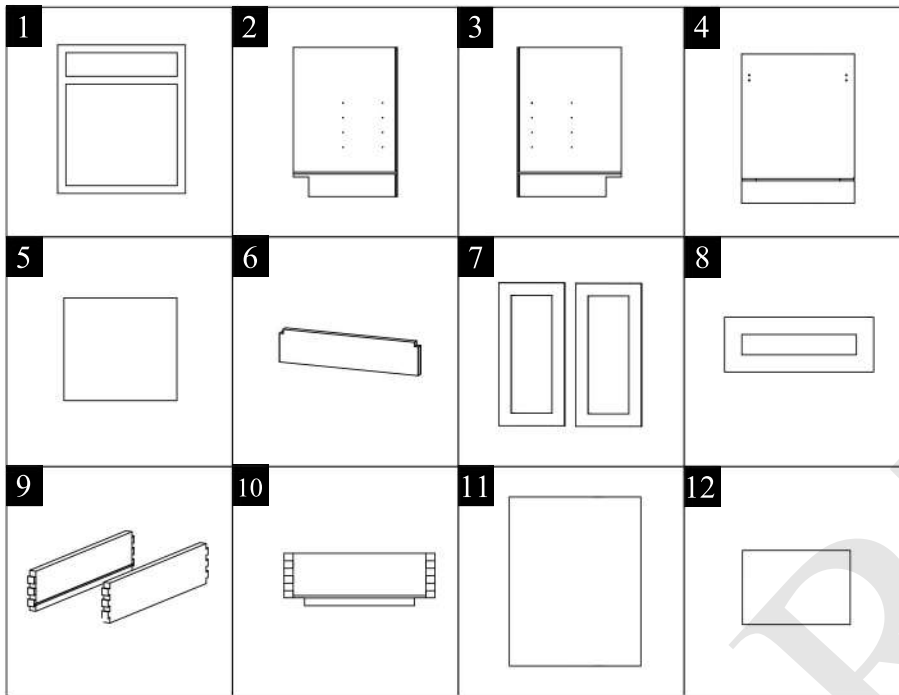
Inspect all panels and hardware to ensure you have everything needed.

We recommend laying the panels on flat soft base to protect the finish when assembling.

**Pre-Sales:** [service@rarartacabinets.com](mailto:service@rarartacabinets.com)

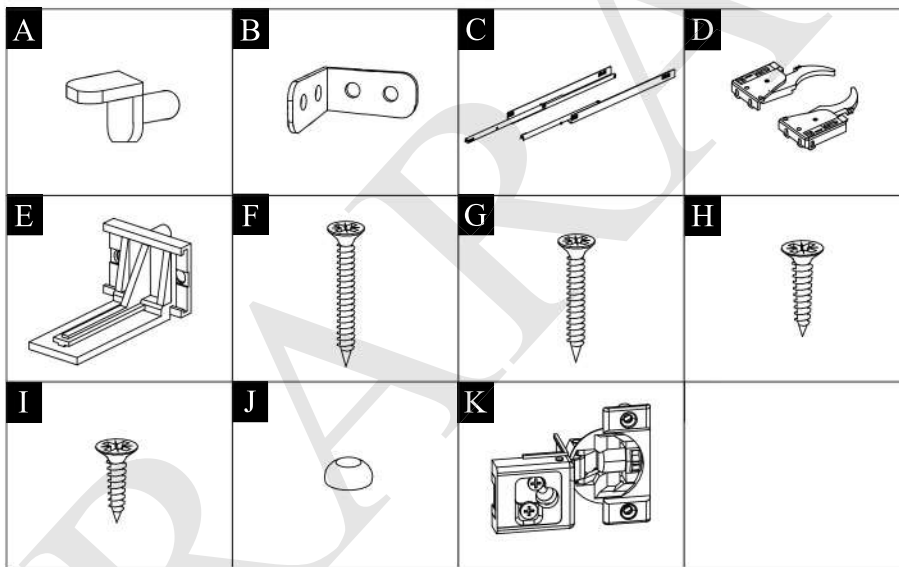
**After-Sales:** [logistics@rarartacabinets.com](mailto:logistics@rarartacabinets.com)

**Parts List**



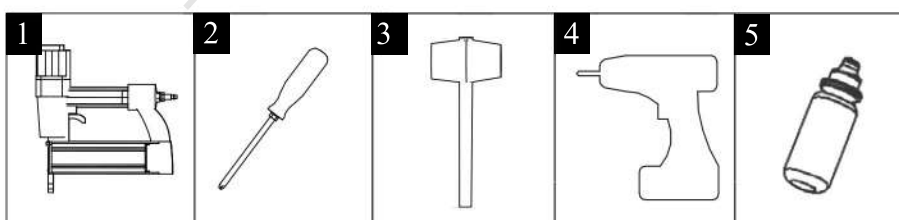
- 1** Face Frame
- 2** Left Panel
- 3** Right Panel
- 4** Back Panel
- 5** Bottom Panel
- 6** Toe Kick
- 7** Door
- 8** Drawer Front Panel
- 9** Drawer Sides
- 10** Drawer Back Panel
- 11** Drawer Bottom Panel
- 12** Adjustable shelves

**Hardware list**



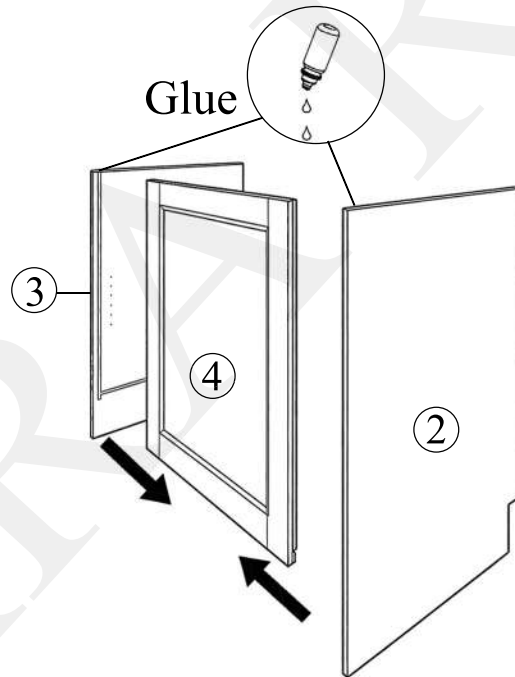
- A** Shelf Pins
- B** Metal L Brackets
- C** Drawer Glides
- D** L/R Locking Drawer Glides
- E** Glide Rail Brackets
- F** Large Screws 1 3/16"
- G** Medium Large Screws 1"
- H** Medium Screws 5/8"
- I** Small Screws 9/16"
- J** Clear Rubber Bumpers
- K** Hinges

**Tools Required**

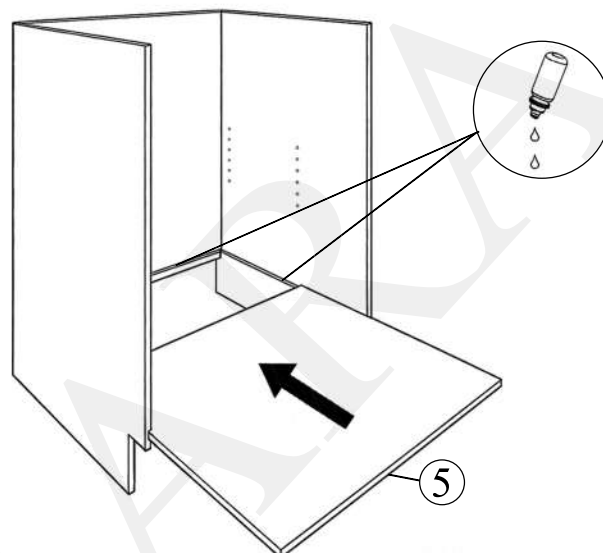


- 1** Nailer
- 2** Screwdriver
- 3** Rubber Mallet
- 4** Drill
- 5** Glue

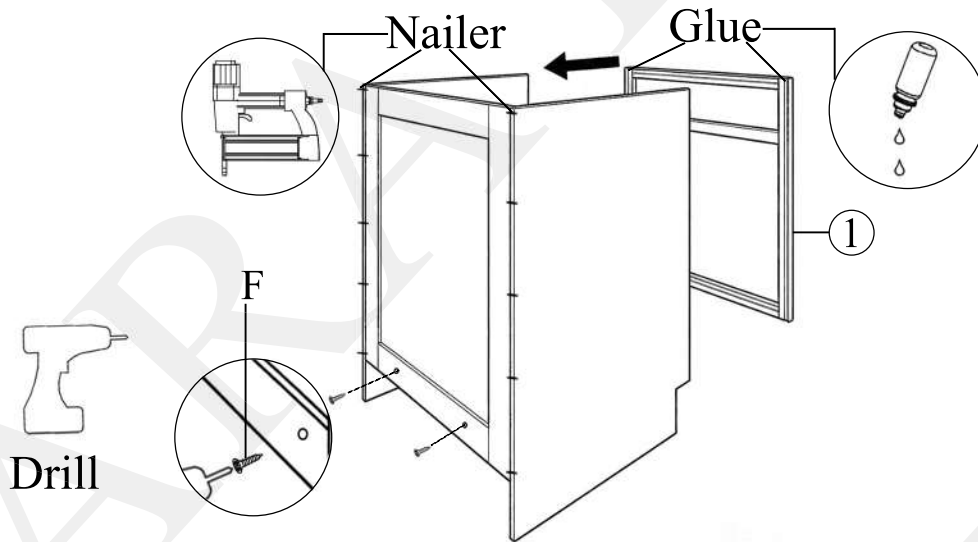
**Step1:** Apply glue to the grooves of the two side panels. Then insert the back panel into the grooves of the two side panels.



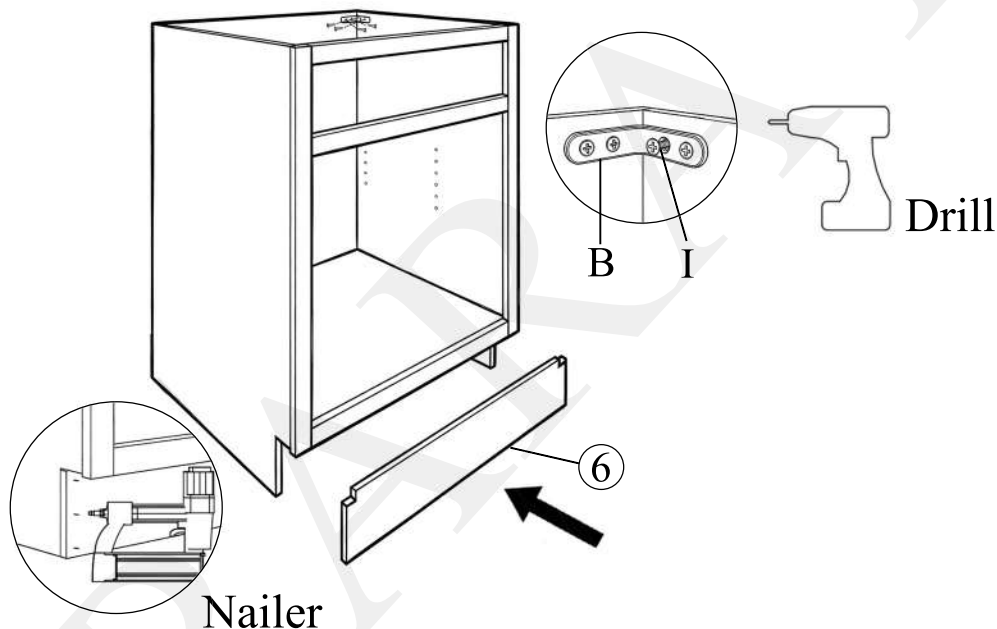
**Step2:** Apply glue to the grooves of the back panel and the two side panels. Then insert the bottom panel into the grooves.



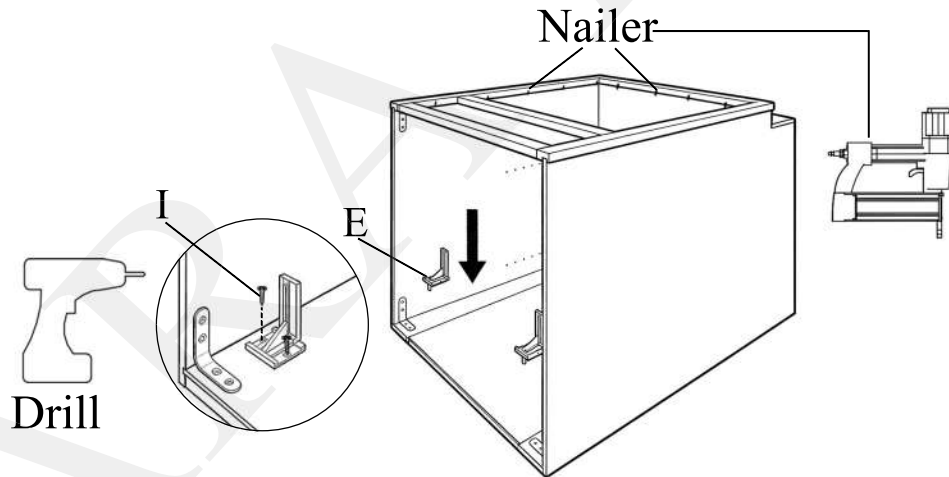
**Step3:** Insert the large screws through the back panel's holes, tightening them as shown. Use a nailer to fix the back panel & side panels. Then apply glue to the grooves of the face frame, connect the side panels & bottom panel with the grooves of the face frame.



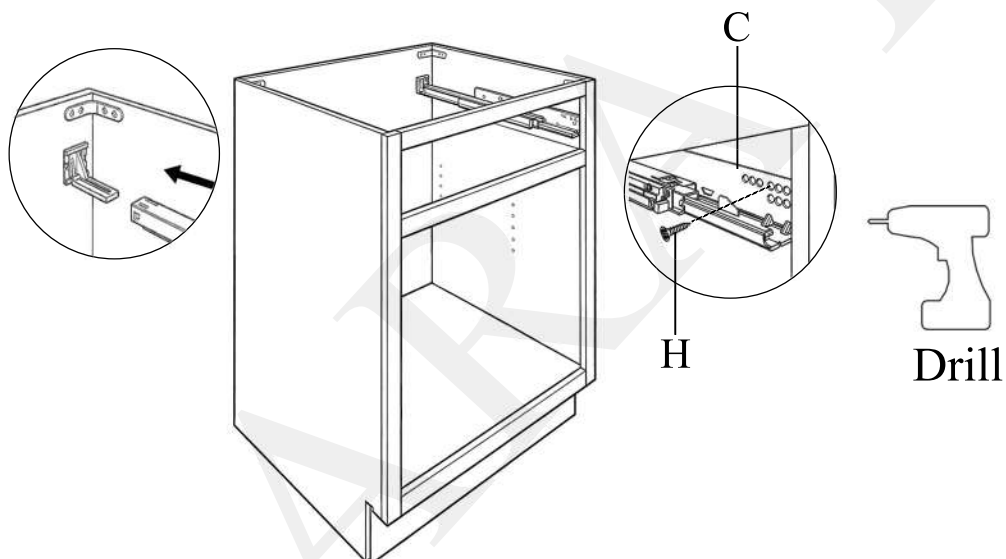
**Step4:** Attach the metal brackets, securing them with small screws. Then secure the toe kick with a nailer.



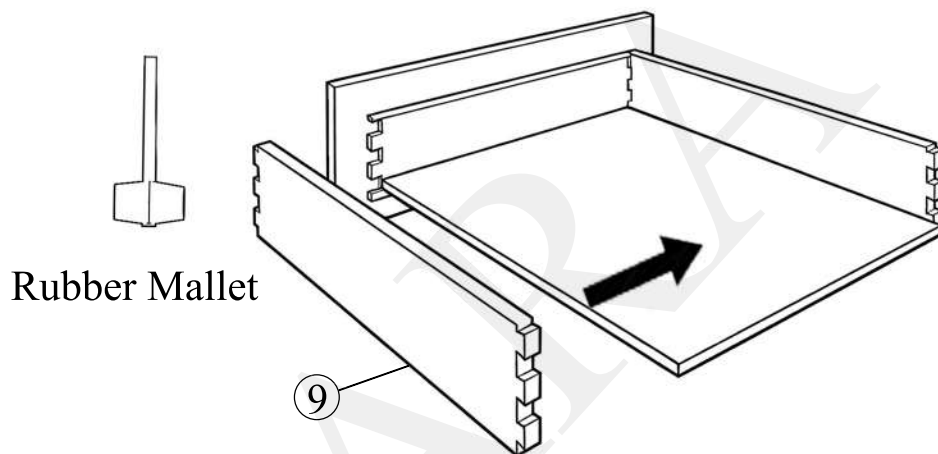
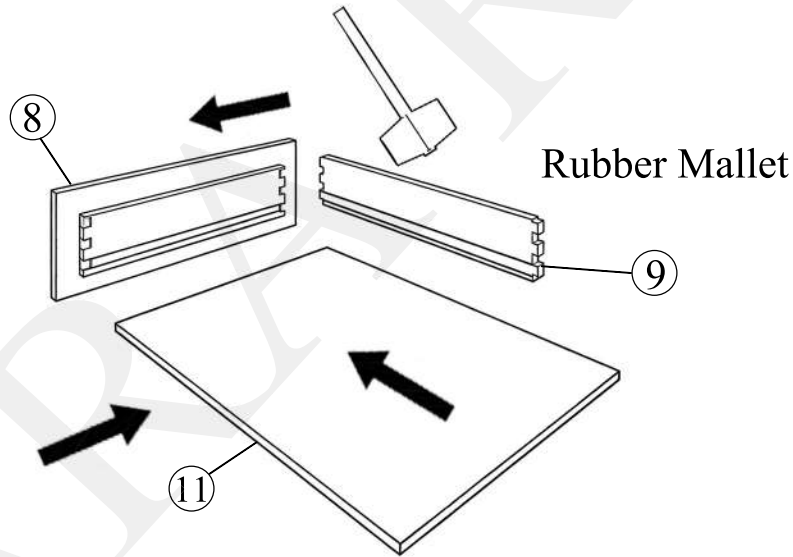
**Step5:** Secure the face frame and side panels & bottom panel with a nailer. Then attach the glide rail brackets, securing them with the small screws.



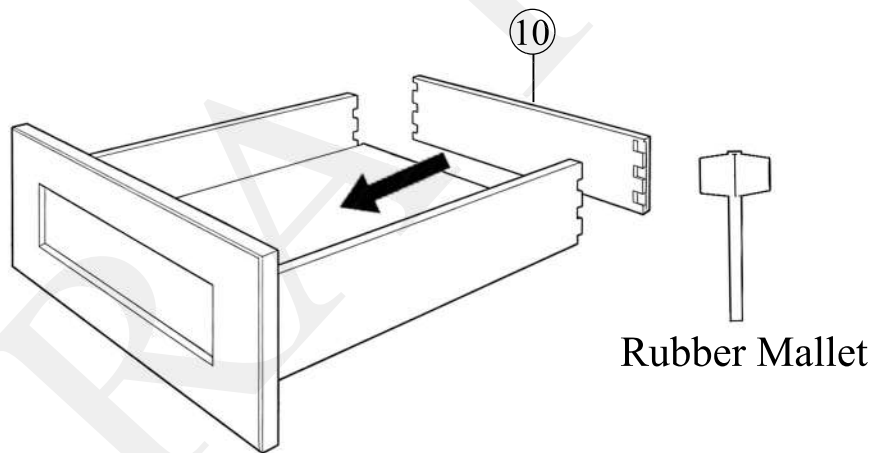
**Step6:** Insert the drawer glides into the glide rail bracket, allowing the front to rest on the face frame. Then attach the glides to the side frame using medium screws.



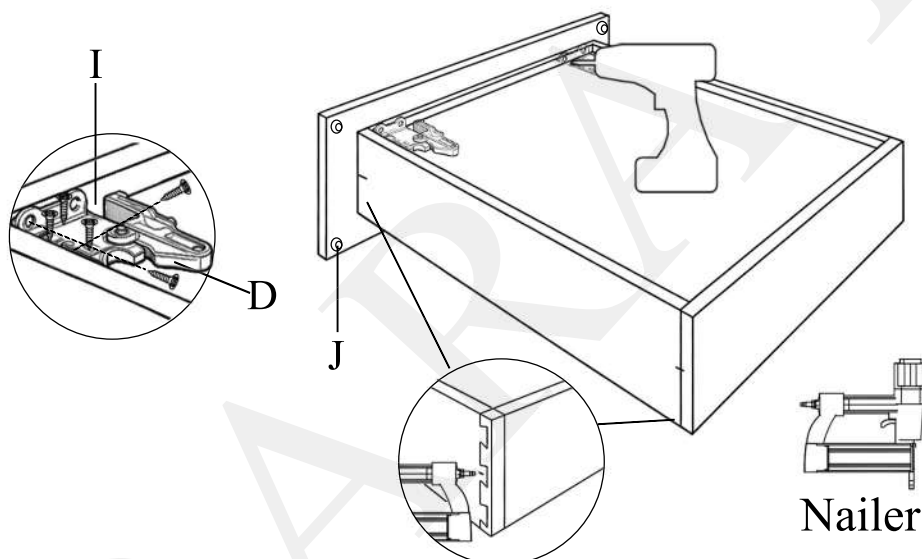
**Step7:** Join the drawer bottom panel and side panels into the dovetail joints using a rubber mallet.



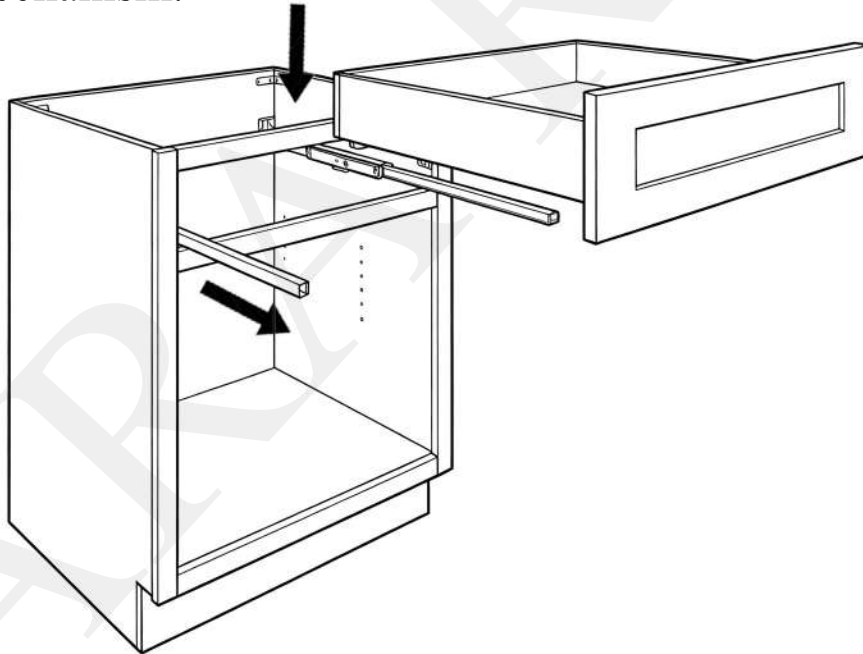
**Step8:** Install the rear drawer panel.



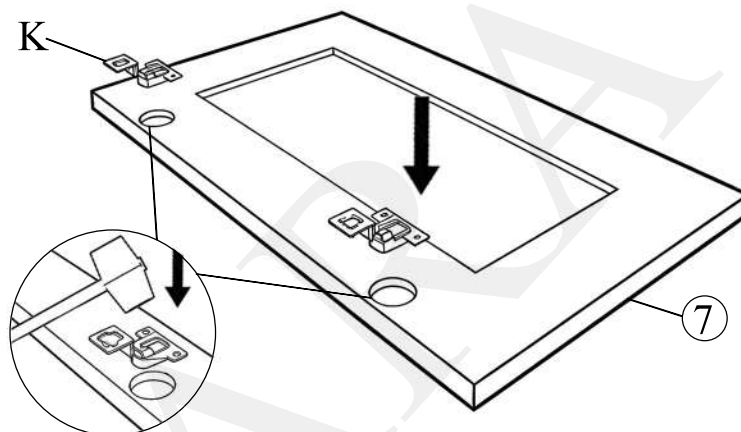
**Step9:** Attach the left and right locking glides to the pre-drilled drawer box front, securing them with small screws as shown. Then, install clear bumpers on the corners of the drawer front.



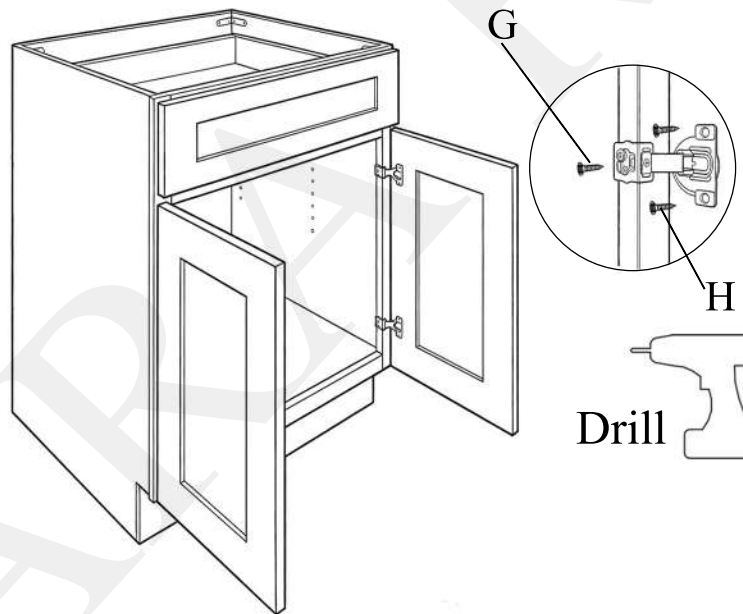
**Step10:** Pull the glides all the way out. Position the drawer box on the glides. Underneath the drawer box, guide the glides forward until they securely lock into the locking glides. Close the drawer all the way to fully engage the mechanism.



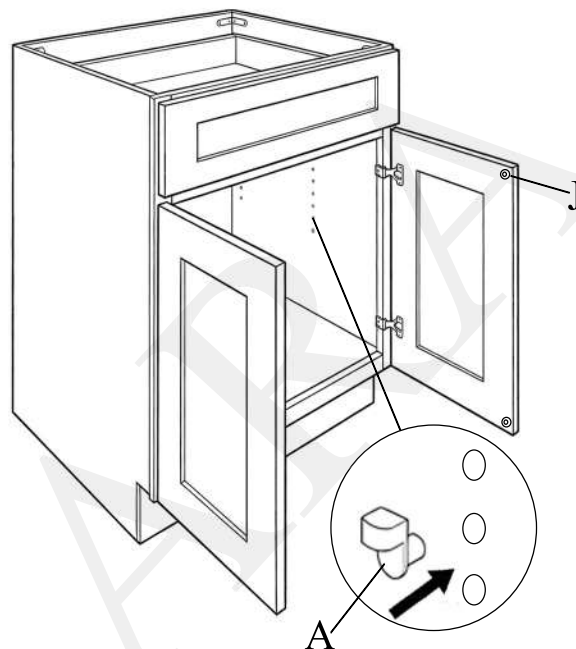
**Step11:** Align the hinges with the pre-drilled holes on the door frame.



**Step12:** Secure the door with hinges to the pre-drilled face frame using the medium-large and medium screws. Then put the clear bumpers on the corners of the door front.



**Step13:** Insert the shelf pins into the pre-drilled holes on the inner side of the cabinet.



**Step14:** Place the adjustable shelves on the pins in the desired location.

