

ASSEMBLY INSTRUCTION

BASE CABINET WITH SINGLE DOOR & DRAWER



Cabinet Model

PC248424, PC249024, PC249624, PC308424,
PC309024, PC309624

Cabinet Style

Shaker Door Style Framed Cabinets



NOTE*

See our cabinet assembly videos on our YouTube Channel

<http://www.youtube.com/@rarartacabinets>

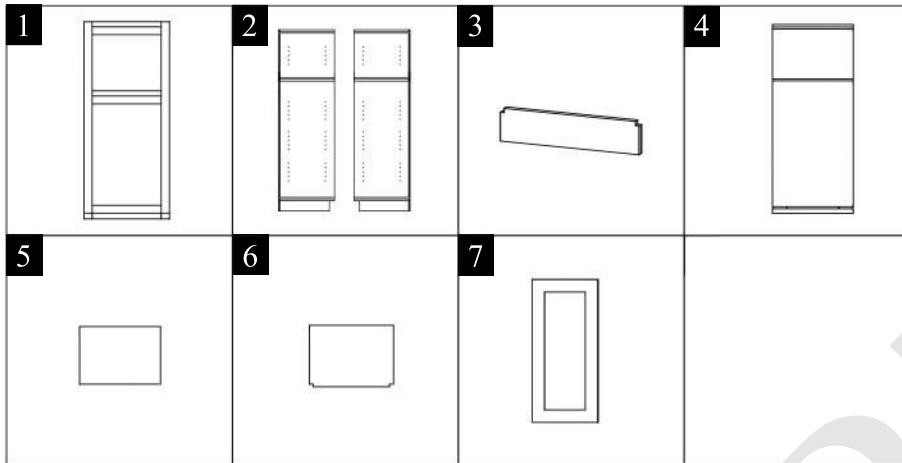
Inspect all panels and hardware to ensure you have everything needed.

We recommend laying the panels on flat soft base to protect the finish when assembling.

Pre-Sales: service@rarartacabinets.com

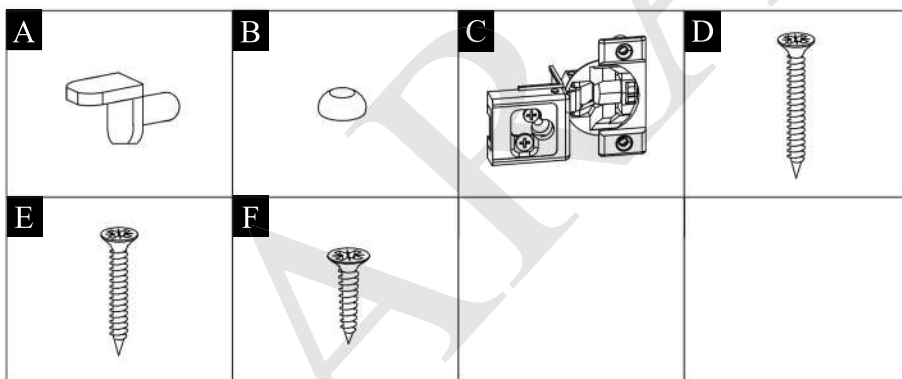
After-Sales: logistics@rarartacabinets.com

Parts List



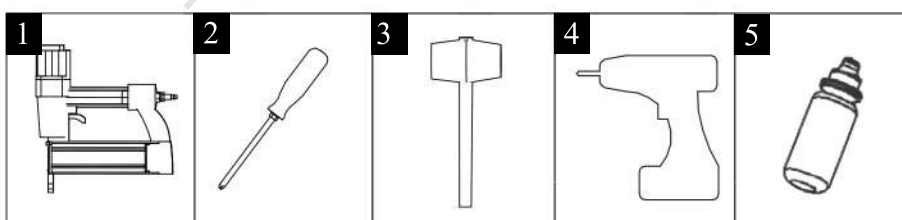
- 1** Face Frame
- 2** Side Panel
- 3** Toe Kick
- 4** Back Panel
- 5** Shelves x4 or x5
- 6** Top & Bottom & Middle Panel
- 7** Door

Hardware list



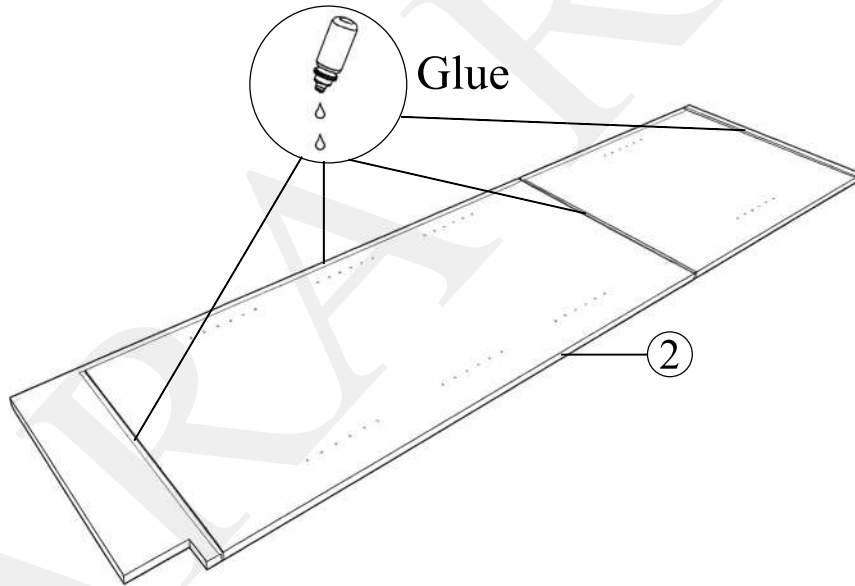
- A** Shelf Pins
- B** Clear Rubber Bumpers
- C** Hinges
- D** Large Screws 1 3/16"
- E** Medium Large Screws 1"
- F** Medium Screws 5/8"

Tools Required

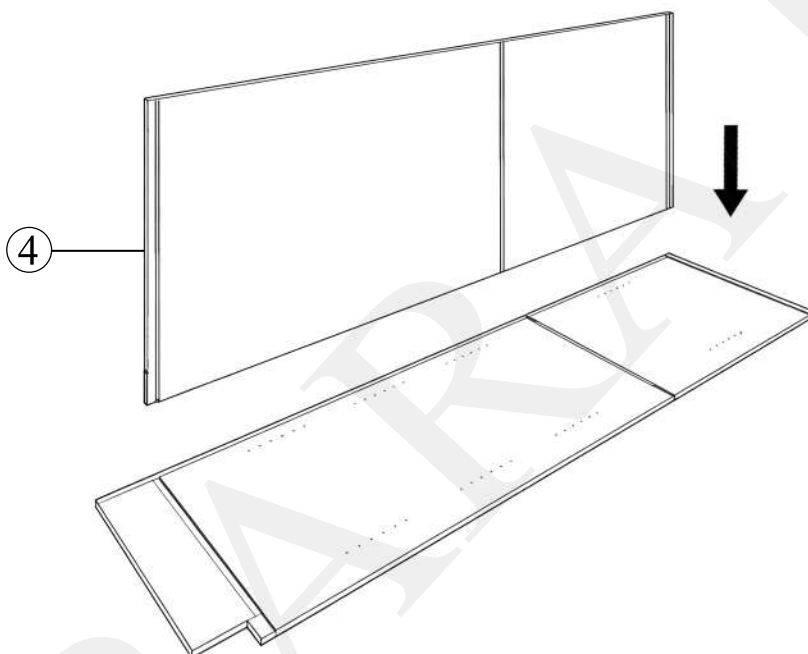


- 1** Nailer
- 2** Screwdriver
- 3** Rubber Mallet
- 4** Drill
- 5** Glue

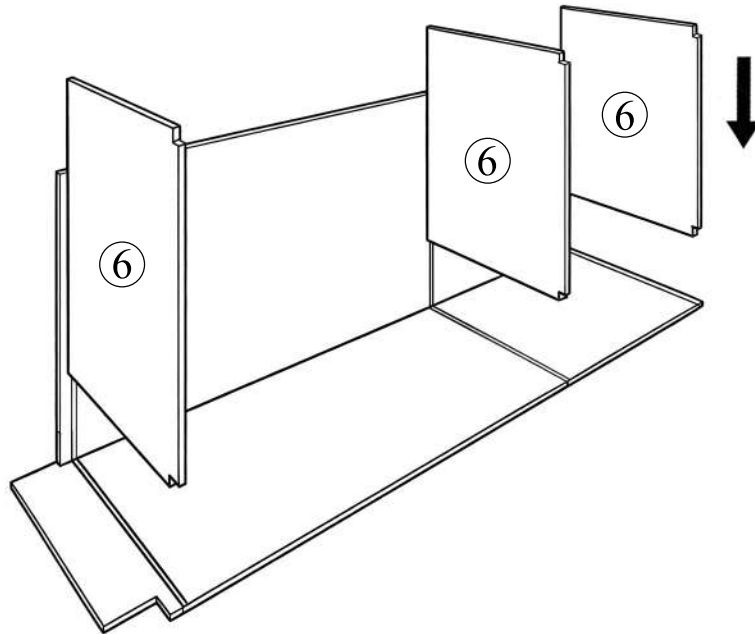
Step1: Apply glue to the grooves of the back panels.



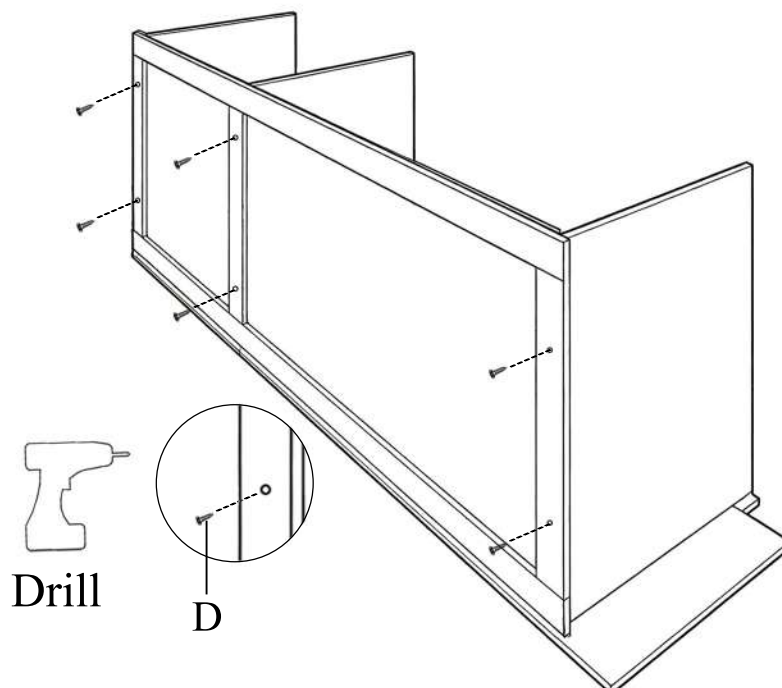
Step2: Join the back panel with the side panel, ensuring the groove is perfectly aligned.



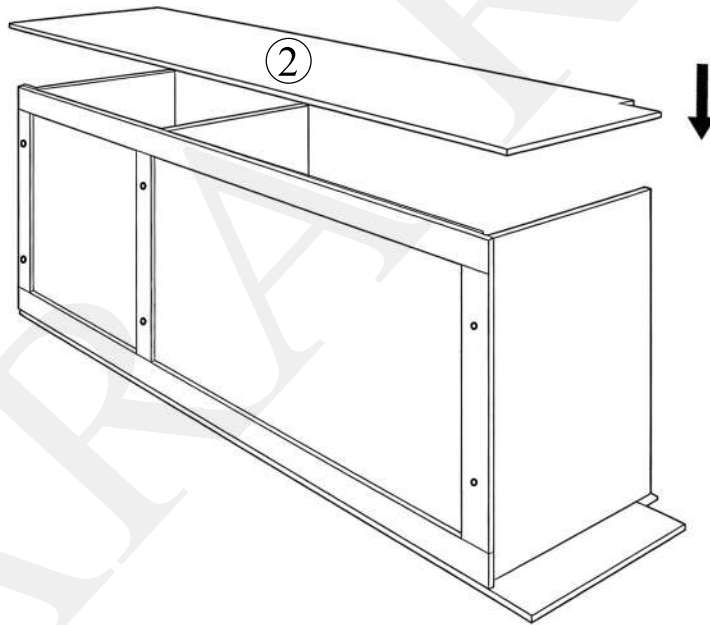
Step3: Slide the top, bottom, and middle panels into the grooves.



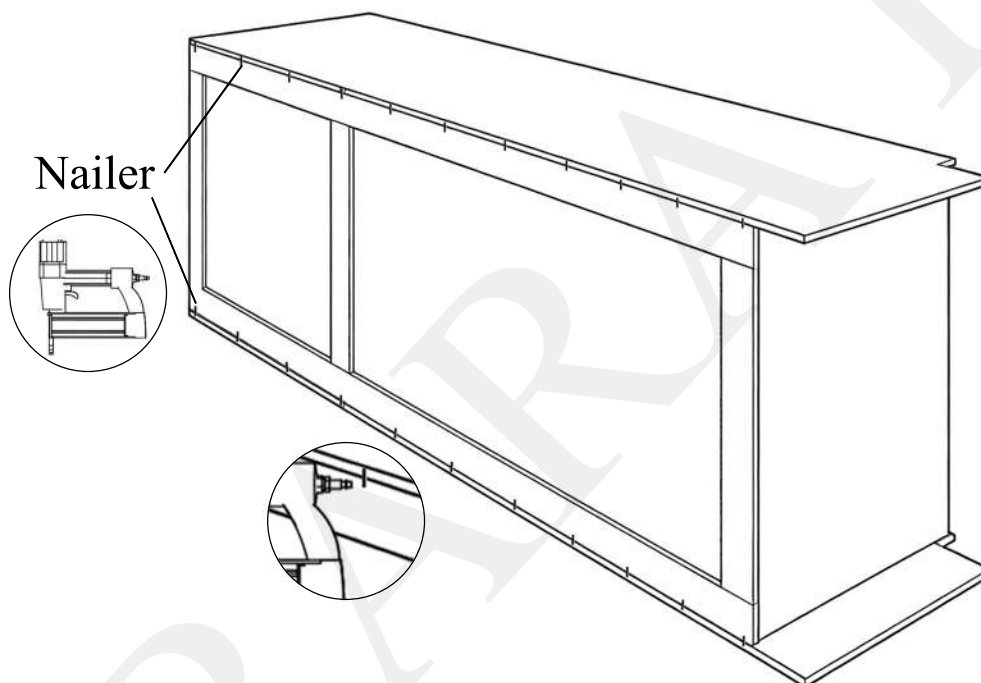
Step4: Insert the large screws through the back panel's holes, tightening them with a drill.



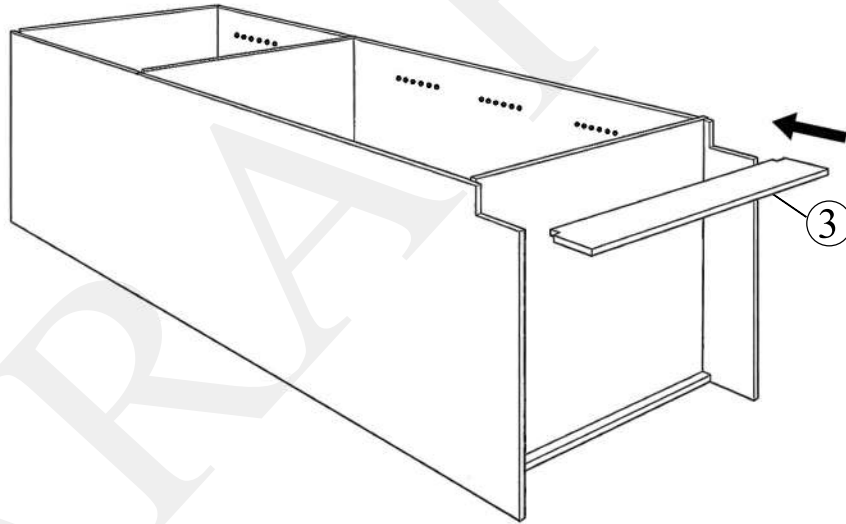
Step5: Fully insert the another side panel into the grooves.



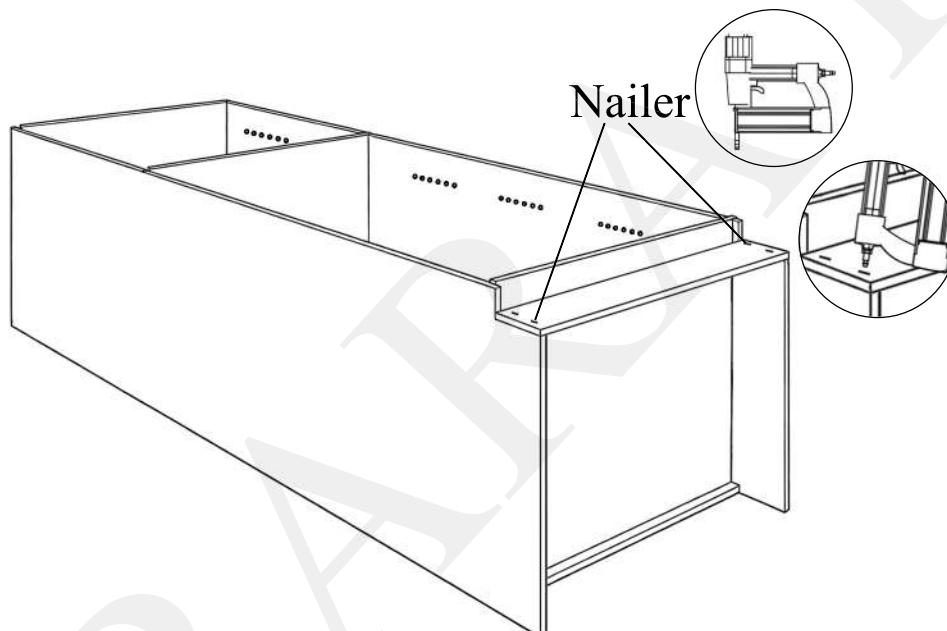
Step6: Secure the back panel and the side panels with a nailer.



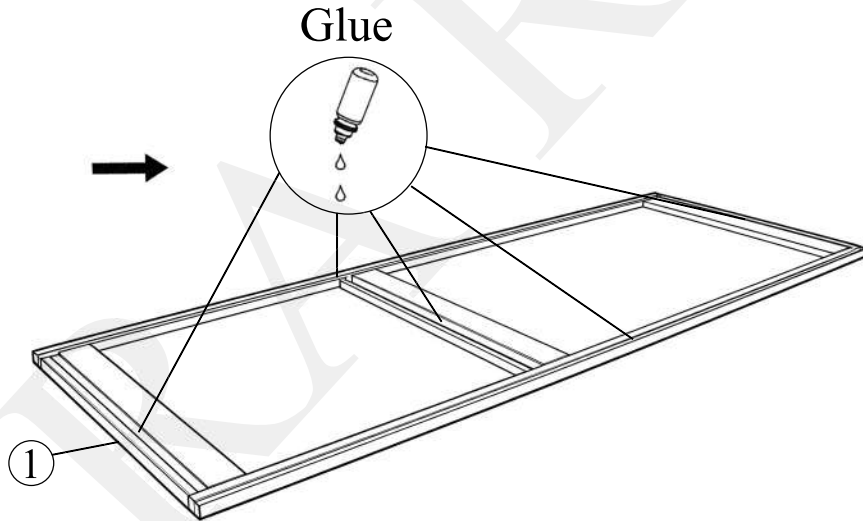
Step7: Attach Toe Kick to cabinet assembly.



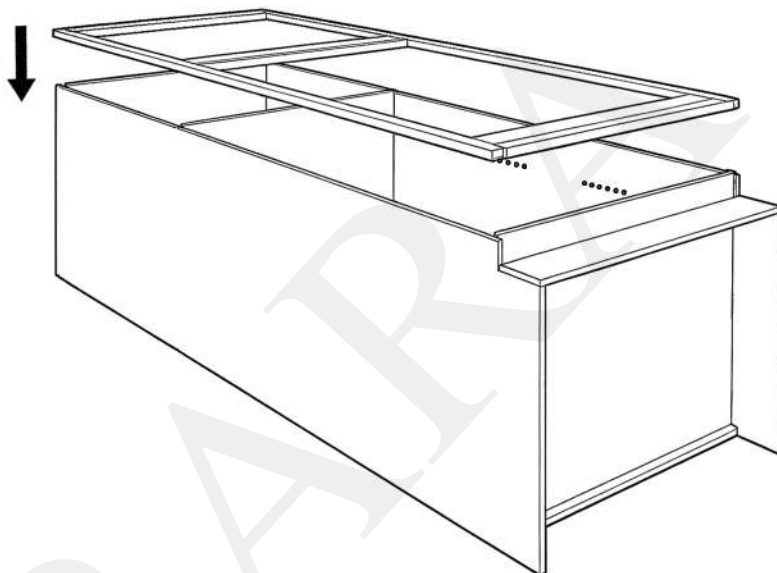
Step8: Secure the toe kick with a nailer.



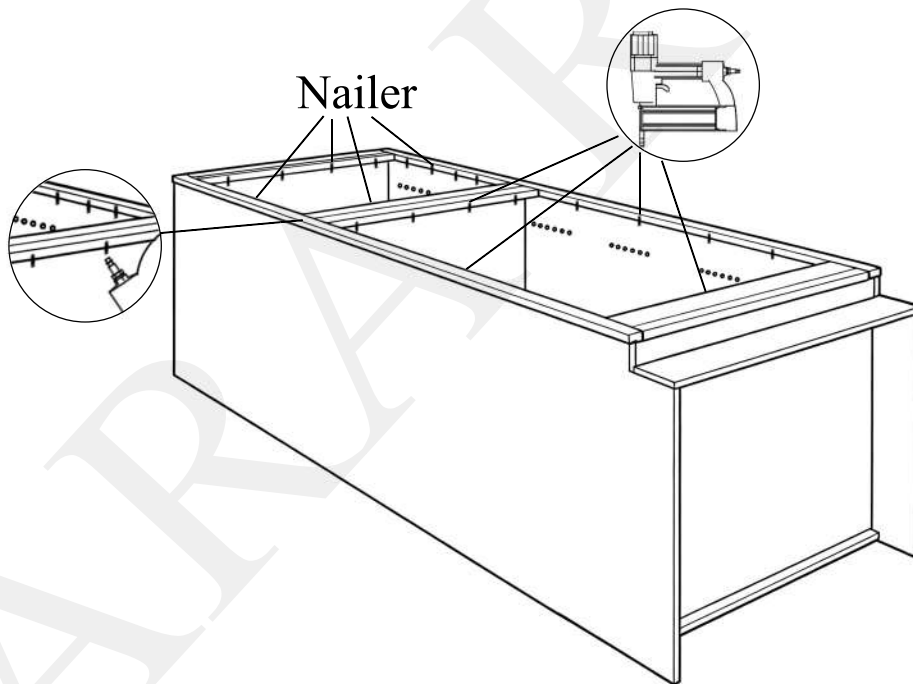
Step9: Apply glue to the grooves of the face frame.



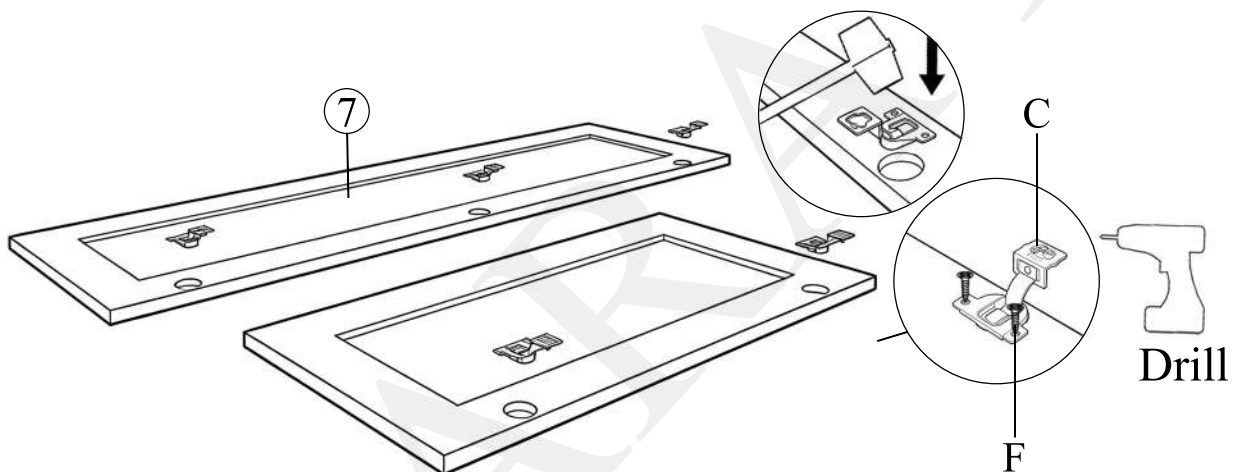
Step10: Connect the cabinet assembly to the grooves of the face frame.



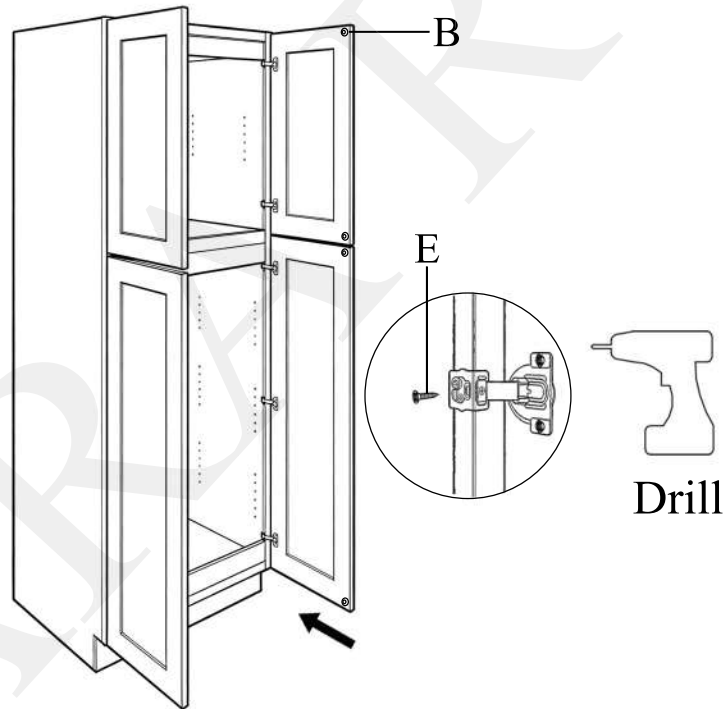
Step11: Secure the face frame and side panels, top and bottom panel with a nailer.



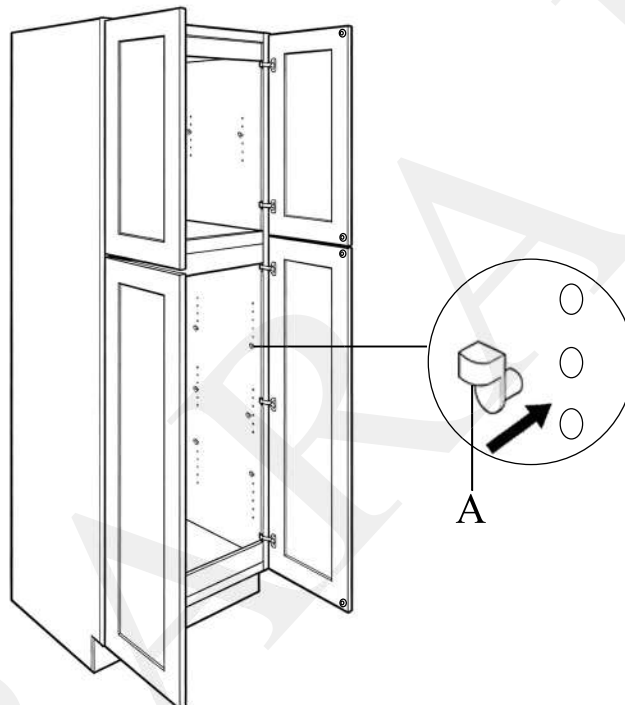
Step12: Place the doors on flat surface and install the hinges. Secure the hinges to doors using the medium screws.



Step13: Turn the Cabinet upright. Attach clear rubber bumpers. Secure the door with hinges to the face frame using the medium large screws.



Step14: Insert the shelf pins into the pilot holes at your desired height. Insert the shelf into the cabinet interior.



Step15: Place shelves securely onto the pins.

